



- ▶ Electronic-grade surge protective device designed to protect electronic equipment and microprocessor-based systems from transients on sub-distribution panels, branch panels, or equipment located in low-exposure locations.

FEATURES

- ▶ Surge current capacity—25,000 to 100,000 Amps per phase
- ▶ All-mode and 2-mode protection option
- ▶ Small footprint
- ▶ All voltage and phase configurations
- ▶ LED status indication and form C contact for remote indication
- ▶ Sand encapsulation
- ▶ Thermal protection
- ▶ Silver link fusing
- ▶ 5-year warranty

GENERAL TECHNICAL SPECIFICATIONS

Operating Voltage Range	+/- 15%
Fault Current Rating (AIC)	14 kAIC
Operating Frequency Range	47-63 Hz
Capacity	Continuous
50 Ω EMI/RFI Attenuation	40 dB
Dry Contact Rating	125 VAC, 8A, 1.0 pf
Response Time	< 0.5 ns
Operating Temperature	-40°C to +50°C
Operating Humidity	0% to 95%
Certifications	UL 1449, CUL, CE
Warranty	5 Year

PERFORMANCE TECHNICAL SPECIFICATIONS

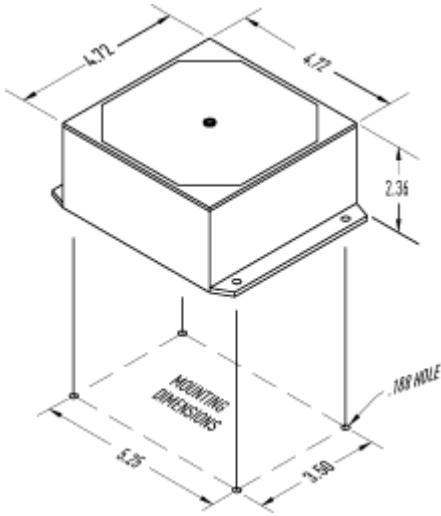
Clamping UL 1449 Classification*	
120/208	
Line to Neutral	400 Volts
Line to Line	800 Volts
Line to Ground	400 Volts
Neutral to Ground	400 Volts
120/240	
Line to Neutral	400 Volts
Line to Line	800 Volts
Line to Ground	400 Volts
Neutral to Ground	400 Volts
277/480	
Line to Neutral	800 Volts
Line to Line	1,500 Volts
Line to Ground	800 Volts
Neutral to Ground	800 Volts
480	
Line to Line	1,500 Volts

Line to Ground

1,500 Volts

* UL classifications for other voltages available upon request.

DIMENSIONAL DIAGRAM



Peak Surge Current Capability (8 x 20 μs)	
Model: ILxxx100	
Phase:	100,000 Amps
L-N:	50,000 Amps
L-L:	50,000 Amps
L-G:	50,000 Amps
N-G:	50,000 Amps
Model: ILxxx50	
Phase:	50,000 Amps
L-N:	25,000 Amps
L-L:	25,000 Amps
L-G:	25,000 Amps
N-G:	25,000 Amps
Model: ILxxx25-2	
Phase:	25,000 Amps
L-N:	25,000 Amps
L-L:	25,000 Amps
L-G:	N / A
N-G:	25,000 Amps